



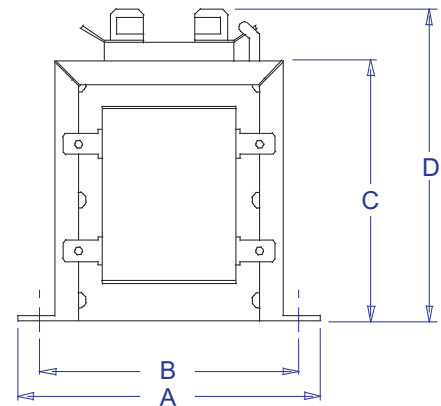
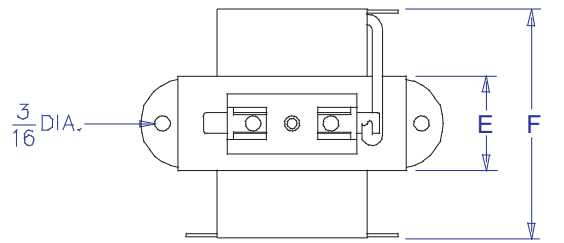
**foster
transformer
company**

The Standard of Quality Since 1937

<http://www.foster-transformer.com>

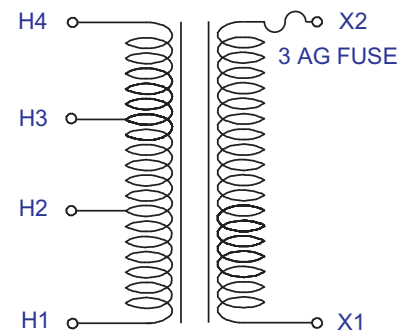
3820 colerain avenue ♦ cincinnati, oh 45223-2586 ♦ phone:(513)681-2420 ♦ fax:(513)681-2424 ♦ toll free:(800)963-9799

MULTI-TAP CLASS 2 CONTROL TRANSFORMERS:



- ✓ Multi-Tap Primary Windings
- ✓ Precision Layer Wound for Longer Life.
- ✓ Designed to Class 2 Not-Inherently Limited.
- ✓ UL Recognized Class 1 30 (B) Insulation System.
- ✓ Integral 3AG Fuse Holder.
- ✓ Convenient 0.250 x 0.032 QC Tab Connections.

Designed for use in Welders, Battery Chargers, Overhead Cranes, HVAC Equipment, Door Openers, Industrial and Motor Controls or any application where a multi-tapped Class 2 Control Transformer is an advantage.



Model:	Input:	Frequency:	Output:	Ouput:	A	B	C	D	E	F
14694	120/208/240 V	50/60 Hz	24 V	50 VA	3 5/8	3 1/8	3 1/16	3 3/4	1 1/16	3 1/4
14695	220/380/415 V	50/60 Hz	24 V	50 VA	3 5/8	3 1/8	3 1/16	3 3/4	1 1/16	3 1/4
14696	208/240/480 V	50/60 Hz	24 V	50 VA	3 5/8	3 1/8	3 1/16	3 3/4	1 1/16	3 1/4
14762	240/480/575 V	50/60 Hz	24 V	50 VA	3 5/8	3 1/8	3 1/16	3 3/4	1 1/16	3 1/4