



**foster
transformer
company**

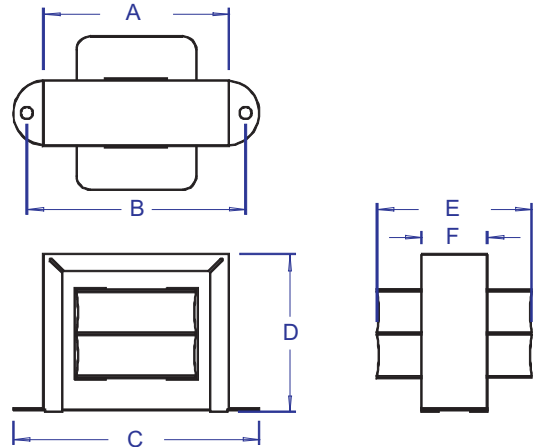
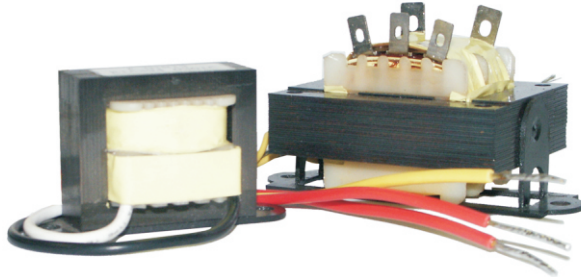
The Standard of Quality Since 1937

<http://www.foster-transformer.com>

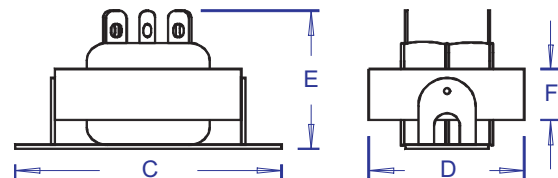
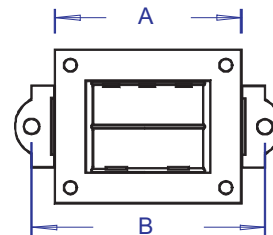
3820 colerain avenue ♦ cincinnati, oh 45223-2586 ♦ phone:(513)681-2420 ♦ fax:(513)681-2424 ♦ toll free:(800)963-9799



LOW VOLTAGE CLASS 2 TRANSFORMERS:



Standard Mounting



Optional Mounting

- ✓ UL / C-UL Recognized. UL File: E1 7029.
- ✓ All Models, Class 2 Inherently Limited.
- ✓ UL Recognized Class 130 (B) Insulation System.
- ✓ Ideal for Low Voltage Lighting Applications.
- ✓ IEC 61558-1, EN 60742, CE Compliant Designs Available.
- ✓ Lead Wires or Quick Connect Tabs Available.
- ✓ Thermal fuses standard on 20 VA & 50 VA.

Designed for use in Appliance, Vending, HVAC, Door Openers, and other applications requiring a Class 2 Control Transformer.

Ideally suited for operating low voltage halogen lamps, fan motors, and controls.

| Model: | Input: | Frequency: | Output: | Capacity: | A | B | C | D | E | F |
|--------|-----------|------------|---------|-----------|---------|---------|---------|---------|-------|--------|
| 16080 | 115 V | 50/60 Hz | 12 V | 5 VA | 1 11/16 | 2 | 2 3/8 | 1 3/8 | 1 3/8 | 9/16 |
| 16081 | 115/230 V | 50/60 Hz | 12 V | 5 VA | 1 11/16 | 2 | 2 3/8 | 1 3/8 | 1 3/8 | 9/16 |
| 16082 | 200/230 V | 50/60 Hz | 12 V | 5 VA | 1 11/16 | 2 | 2 3/8 | 1 3/8 | 1 3/8 | 9/16 |
| 16083 | 115 V | 50/60 Hz | 24 VCT | 5 VA | 1 11/16 | 2 | 2 3/8 | 1 3/8 | 1 1/2 | 11/16 |
| 16084 | 115/230 V | 50/60 Hz | 24 VCT | 5 VA | 1 11/16 | 2 | 2 3/8 | 1 3/8 | 1 1/2 | 11/16 |
| 16085 | 200/230 V | 50/60 Hz | 24 VCT | 5 VA | 1 11/16 | 2 | 2 3/8 | 1 3/8 | 1 1/2 | 11/16 |
| 16086 | 115 V | 50/60 Hz | 12 V | 20 VA | 2 5/16 | 2 13/16 | 3 1/4 | 1 15/16 | 1 3/4 | 11/16 |
| 16087 | 115/230 V | 50/60 Hz | 12 V | 20 VA | 2 5/16 | 2 13/16 | 3 1/4 | 1 15/16 | 1 3/4 | 11/16 |
| 16088 | 200/230 V | 50/60 Hz | 12 V | 20 VA | 2 5/16 | 2 13/16 | 3 1/4 | 1 15/16 | 1 3/4 | 11/16 |
| 16089 | 115 V | 50/60 Hz | 24 VCT | 20 VA | 2 5/16 | 2 13/16 | 3 1/4 | 1 15/16 | 1 3/4 | 11/16 |
| 16090 | 115/230 V | 50/60 Hz | 24 VCT | 20 VA | 2 5/16 | 2 13/16 | 3 1/4 | 1 15/16 | 1 3/4 | 11/16 |
| 16091 | 200/230 V | 50/60 Hz | 24 VCT | 20 VA | 2 5/16 | 2 13/16 | 3 1/4 | 1 15/16 | 1 3/4 | 11/16 |
| 16019 | 115 V | 50/60 Hz | 24 VCT | 50 VA | 2 11/16 | 3 1/8 | 3 11/16 | 2 1/4 | 2 3/8 | 1 1/16 |
| 16020 | 115/230 V | 50/60 Hz | 24 VCT | 50 VA | 2 11/16 | 3 1/8 | 3 11/16 | 2 1/4 | 2 3/8 | 1 1/16 |
| 16021 | 200/230 V | 50/60 Hz | 24 VCT | 50 VA | 2 11/16 | 3 1/8 | 3 11/16 | 2 1/4 | 2 3/8 | 1 1/16 |

1. All part numbers are UL Recognized, C-UL Component Certified to UL 5085-3 (UL 1585) / C.S.A. C22.2, Number 66.1.