

**foster  
transformer  
company**

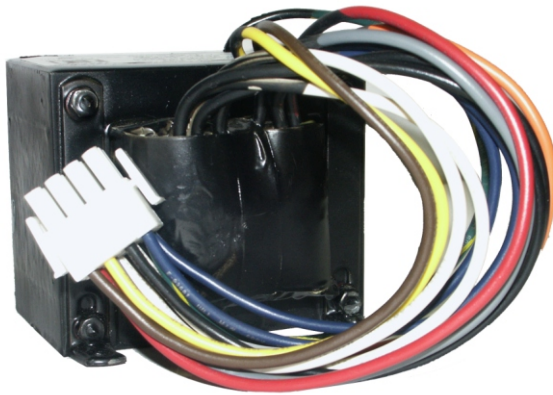
<http://www.foster-transformer.com>



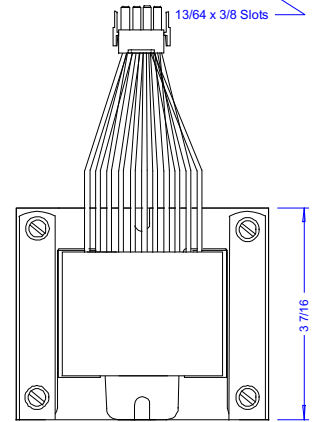
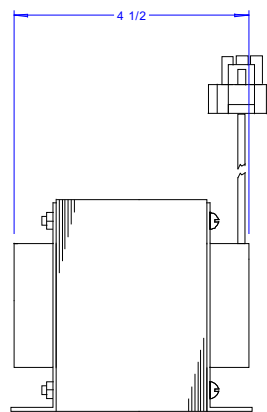
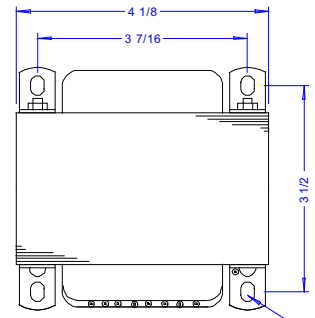
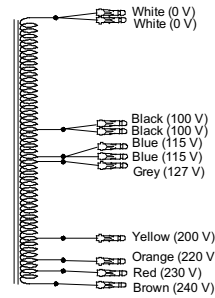
Transformers on this page comply with the Buy American provisions of the American Reinvestment and Recovery Act of 2009 (ARRA), the Trade Agreements Act of 1979 (TAA), the Buy American Act of 1933 (BAA), and Federal Acquisitions Regulations subpart 25.1 (FAR).

*The Standard of Quality Since 1937*

3820 colerain avenue ♦ cincinnati, oh 45223-2586 ♦ phone:(513)681-2420 ♦ fax:(513)681-2424 ♦ toll free:(800)963-9799



## MULTI-TAPPED AUTOFORMER:



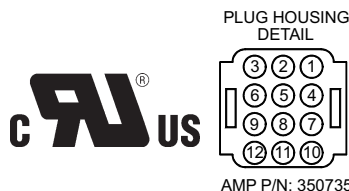
- UL / C-UL Recognized UL 5085-1 & UL 5085-2. CSA C22.2 No. 66.1-06 & C22.2 No. 66.2-06. UL File: E19598.
- TUV Certified to EN60950-1:2006+A11+A1+A12. Certificate: R72132324.
- UL Recognized Class 180 (H) Insulation System.
- Rated Output: 115 V @ 1500 VA.
- Available Input Voltages: 100 V, 115 V, 127 V, 200 V, 220 V, 230 V, and 240 V, 50/60 Hz.
- Can be wired in parallel for increased capacity.
- Optional auto-reset thermal overload protector.

Ideal for use in virtually all types of equipment including office automation, medical and dental, commercial appliance, vending and other OEM applications.

Transformer provides all common commercial single phase voltages allowing equipment designed for 115/120 V service to be used worldwide.

AMP Universal Mate-N-Lok or Universal Mate-N-Lok II connectors allow a single connection point and pre-termination of mating connectors to minimize wiring errors. Also available without connector for custom applications.

Optional thermal protection guards against damage from excessive load or ambient temperatures. Multiple units may be wired in parallel for additional capacity. Contact the factory for information on value added assemblies incorporating this transformer.



Wire Color:	Pin Connections:	Voltage:
White	6 & 8	COM
Black	7 & 9	100 V
Blue	10 & 12	115 V
Gray	5	127 V
Yellow	4	200 V
Orange	3	220 V
Red	2	230 V
Brown	1	240 V