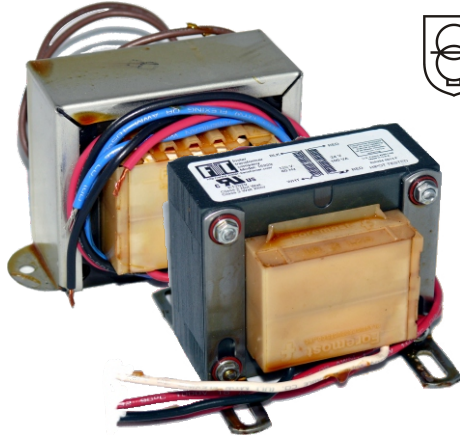


**foster  
transformer  
company**

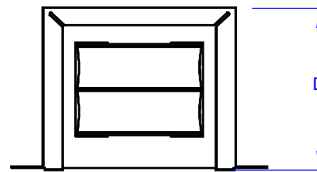
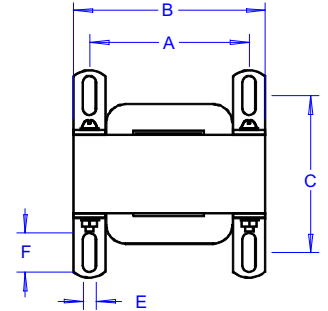
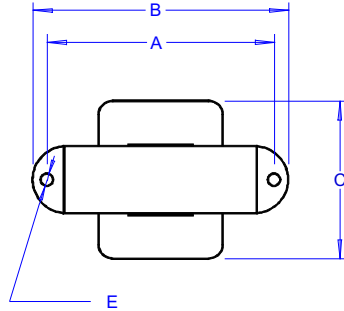
*The Standard of Quality Since 1937*

<http://www.foster-transformer.com>

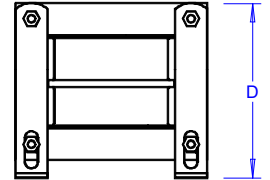
3820 colerain avenue ♦ cincinnati, oh 45223-2586 ♦ phone:(513)681-2420 ♦ fax:(513)681-2424 ♦ toll free:(800)963-9799



## SELV SAFETY ISOLATING TRANSFORMERS:



75 VA



100 VA

Designed for use in HVAC, Appliance, Vending, Battery Charger and other applications requiring a Class 2 Control Transformer.

All Designs are Inherently Limited as defined by UL 5085 and non-inherently short-circuit proof as defined by EN 61558-1.

- UL / C-UL Recognized. UL5085-1& UL5085-3. UL File: E17029.
- TUV Certified. EN 61558-1, EN 61558-2-6 and EN 60335-1. Certificate No.: R 72150067.
- Glow-Wire Compliant per EN 60335-1 requirements.
- UL Recognized Class 130 (B) Insulation System.
- Breakthrough Short Circuit & Overload Protection.
- No External Fusing Required.
- Can Withstand a Direct Short Circuit in Excess of 15 Days!
- Lowers Warranty Costs, Improves Customer Satisfaction.
- **CE** Compliant Designs Available.

Model:	Input:	Frequency:	Output:	Capacity:	A	B	C	D	E	F
15348	115 V	50/60 Hz	24 V	75 VA	3 9/16	4	2 3/4	2 9/16	3/16	
15347	115/(200)/230	50/60 Hz	24 V	75 VA	3 9/16	4	2 3/4	2 9/16	3/16	
15349	200/230 V	50/60 Hz	24 V	75 VA	3 9/16	4	2 3/4	2 9/16	3/16	
15349-02	220/230/240 V	50/60 Hz	26.5 V	75 VA	3 9/16	4	2 3/4	2 9/16	3/16	
15342	460 V	50/60 Hz	24 V	75 VA	3 9/16	4	2 1/2	2 9/16	3/16	
15696	115 V	50/60 Hz	24 V	100 VA	2 1/2	3	2 3/4	2 13/16	13/64	5/8
16025	115 V	50/60 Hz	26.5 V	100 VA	2 1/2	3	2 3/4	2 13/16	13/64	5/8
15697	115/(200)/230	50/60 Hz	24 V	100 VA	2 1/2	3	2 3/4	2 13/16	13/64	5/8
16212	115/230 V	50/60 Hz	26.5 V	100 VA	2 1/2	3	2 3/4	2 13/16	13/64	5/8
15698	200/230 V	50/60 Hz	24 V	100 VA	2 1/2	3	2 3/4	2 13/16	13/64	5/8
16026	200/230 V	50/60 Hz	26.5 V	100 VA	2 1/2	3	2 3/4	2 13/16	13/64	5/8
16562	230/(400)/460	50/60 Hz	24 V	100 VA	2 1/2	3	2 3/4	2 13/16	13/64	5/8
16563	230/(400)/460	50/60 Hz	26.5 V	100 VA	2 1/2	3	2 3/4	2 13/16	13/64	5/8
16564	400/460	50/60 Hz	24 V	100 VA	2 1/2	3	2 3/4	2 13/16	13/64	5/8
16565	400/460	50/60 Hz	26.5 V	100 VA	2 1/2	3	2 3/4	2 13/16	13/64	5/8

1. All part numbers **except** 16562-16565 are UL Recognized, C-UL Component Certified to UL 5085-1/5085-3 (UL1585) / C.S.A. C22.2, Number 66.1.
2. All part numbers certified by TÜV Rheinland to EN 61558-1, 61558-2-6 and EN 60335-1.
3. 200 V tap on models 15347 and 15697, and 400 V tap on models 16562 and 16563, optional. Must be specified at order placement.
4. Special voltages, mounting, and lead out configurations are available. Consult factory for details.