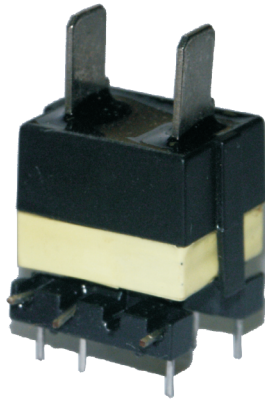
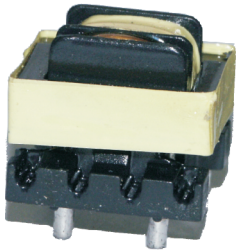


**foster
transformer
company**

<http://www.foster-transformer.com>

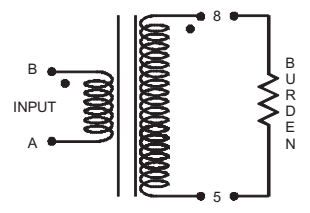
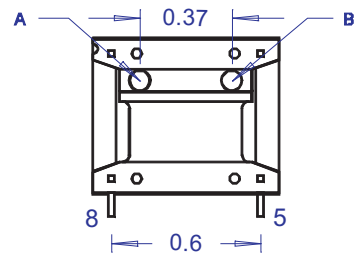
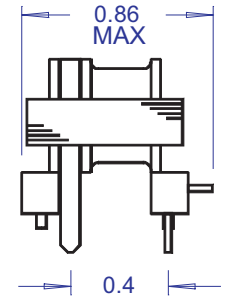
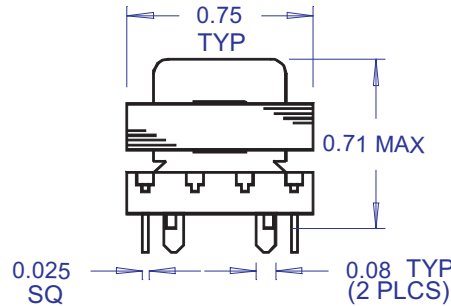
The Standard of Quality Since 1937

3820 colerain avenue ♦ cincinnati, oh 45223-2586 ♦ phone:(513)681-2420 ♦ fax:(513)681-2424 ♦ toll free:(800)963-9799

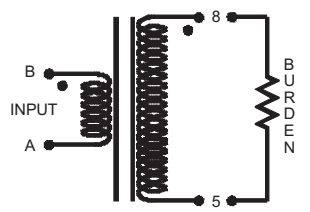
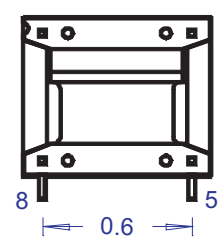
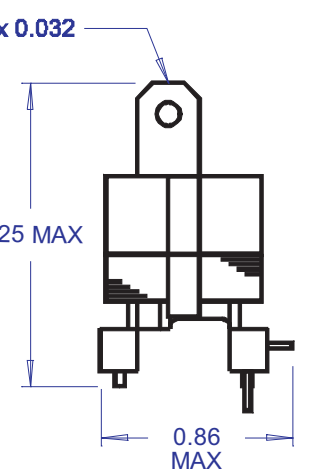
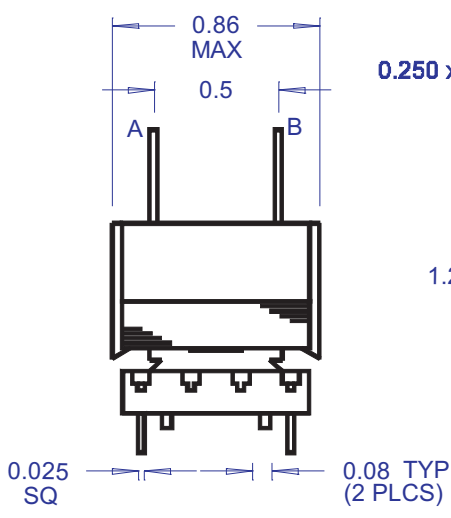


CURRENT TRANSFORMERS:

- ✓ Rated Current: 0.1 A - 30.0 A.
- ✓ Operating Frequency: 50 Hz - 400 Hz.
- ✓ Turns Ratio: 1:500.
- ✓ Typical Output: 100 mV / Ampere.
- ✓ Suggested Burden Resistor: 50 Ω.
- ✓ Primary Resistance: 0.011 mΩ, typ.
- ✓ Secondary Resistance: 16.7 Ω, typ.
- ✓ Dielectric: 500 V, RMS.
- ✓ UL Class 130 (B) materials.
- ✓ Optional 1/4" quick connect terminals for high current connection.



Model 16050 with PCB connections.



Model 16051 with 1/4" QC tab connections.