



**foster  
transformer  
company**

<http://www.foster-transformer.com>

*The Standard of Quality Since 1937*

3820 colerain avenue ♦ cincinnati, oh 45223-2586 ♦ phone:(513)681-2420 ♦ fax:(513)681-2424 ♦ toll free:(800)963-9799

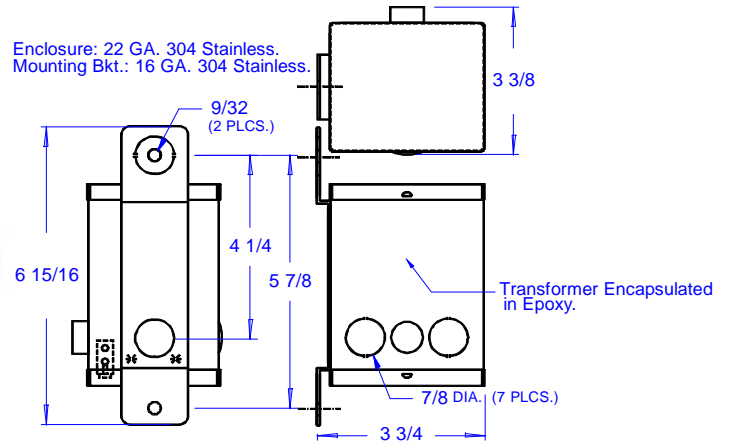


## UL LISTED CLASS 2 TRANSFORMERS:



- ✓ UL / C-UL Listed. UL File: E17029.
- ✓ All Models, Class 2 Inherently Limited Except A-14359-01 Provided with 4.0 A Circuit. Breaker.
- ✓ UL Recognized Class 130 (B) Insulation System.

Designed for use in Alarm Systems, HVAC Applications, Intercom & Paging Systems, Commercial Appliances, Industrial Controls, Door Chimes and other applications requiring a UL Listed Class 2 Control Transformer.



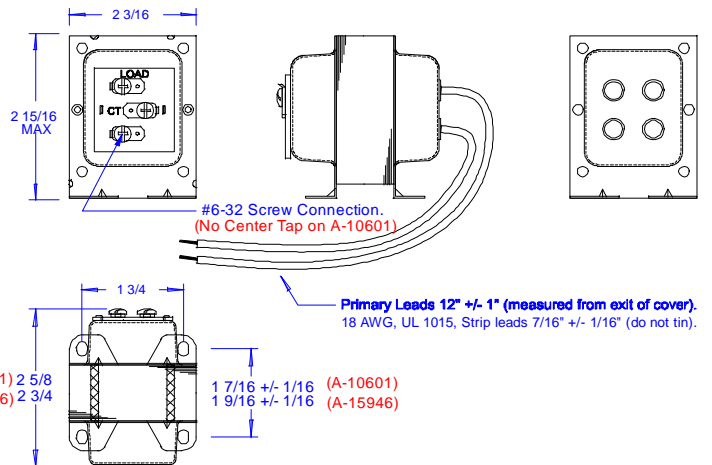
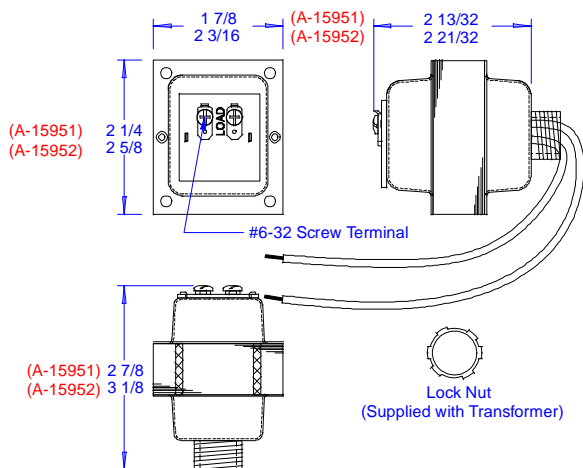
Model: A-14359-01

**Input Voltage:** 115/200/230/460 V, 50/60 Hz

**Output Voltage:** 22.5 VAC, 75 VA

**Overload Protection:** 4.0 A Circuit Breaker.

**Notes:** Removable Cover for Access to Wiring Compartment.



**Input Voltage:** 115 V, 50/60 Hz  
**Output Voltage:** 16 VAC, 15 VA, A-15951  
16 VAC, 30 VA, A-15952  
**Overload Protection:** 125 C Auto-Reset Thermal.

UL / C-UL Listed, UL 1585, Class 2, E17029.  
UL / C-UL Listed, UL 1411, E62547.

**Input Voltage:** 115/230 V, 50/60 Hz  
**Output Voltage:** 22.5 VAC, 30 VA, A-10601  
24 VCT, 50 VA, A-15946  
**Overload Protection:** 130 C Thermal Fuse.

Models 10601 and 15946 also available with pipe nipple, 1/2" conduit knockout clamp, or 4 inch square outlet box cover mounting.