

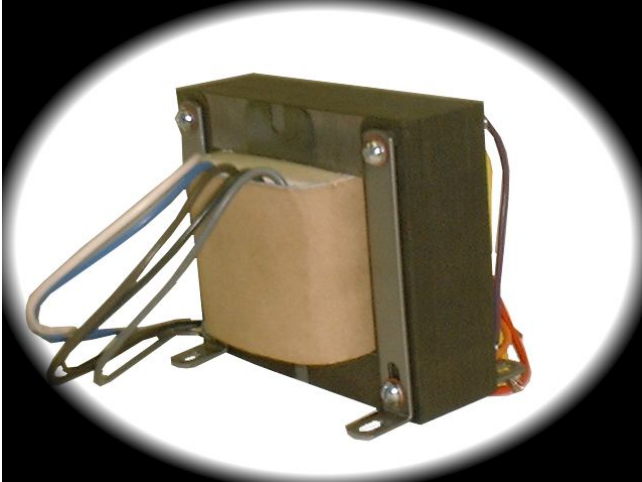


**foster
transformer
company**

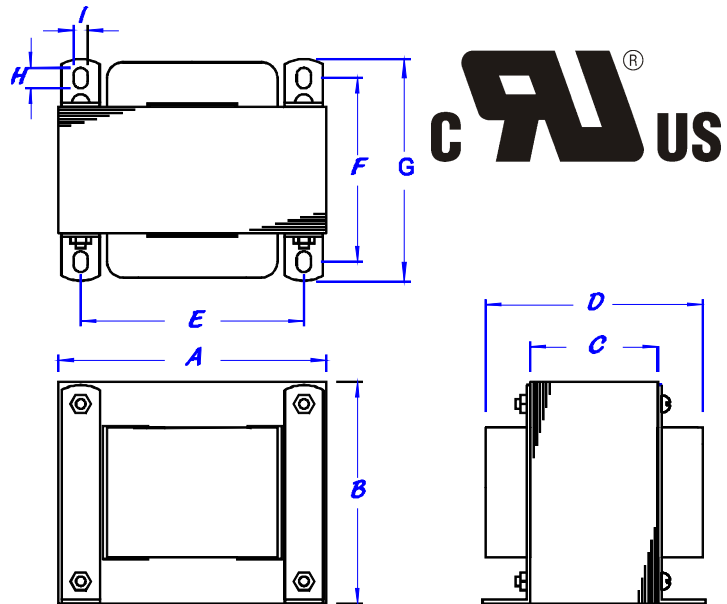
<http://www.foster-transformer.com>



3820 colerain avenue ♦ cincinnati, oh 45223-2586 ♦ phone:(513)681-2420 ♦ fax:(513)681-2424 ♦ toll free:(800)963-9799



MACHINE TOOL TRANSFORMERS:



- ✓ Input: 240/480 V, 50/60 Hz. Parallel / Series. 208 V tap optional.
- ✓ Output: 120/240 V, 50/60 Hz. Parallel / Series. Single 115 V or 230 V output optional.
- ✓ May be operated in reverse for step-up. (Note: Reduced output voltage when operated in reverse.)
- ✓ UL / C-UL Recognized. UL File: E19598.
- ✓ UL Recognized Class 130 (B) Insulation System. UL File: E50662.
- ✓ Designed to operate in a 40°C ambient.
- ✓ Available with flying leads or terminals.
- ✓ Available in a UL / C-UL Listed version with Class 180 (H) Insulation System.

Designed for use in Industrial Controls and Automation Equipment, Commercial Appliances, Vending Machines and other applications requiring an isolated step-down transformer.

Model:	Capacity:	A	B	C	D	E	F	G	H	I
15728-R	0.025 kVA	2 5/16	1 15/16	1	3 1/8	1 7/8	1 9/16	2 3/16	1/5	3/10
12314-R	0.050 kVA	3 1/16	2 9/16	1	3 1/4	2 1/2	2	2 5/8	13/64	3/8
13092-R	0.075 kVA	3 1/16	2 9/16	1 1/2	3 3/4	2 1/2	2 1/2	3 1/8	13/64	3/8
12315-R	0.100 kVA	3 7/16	2 7/8	1 3/8	3 3/4	2 13/16	2 3/8	3	13/64	3/8
12316-R	0.150 kVA	3 13/16	3 3/16	1 7/8	4 1/4	3 1/8	2 7/8	3 1/2	13/64	3/8
13706-R	0.175 kVA	3 13/16	3 3/16	1 7/8	4 1/4	3 1/8	2 7/8	3 1/2	13/64	3/8
13754-R	0.200 kVA	4 9/16	3 11/16	1 3/8	4 1/4	3 3/4	2 3/8	3	13/64	3/8
12317-R	0.250 kVA	4 9/16	3 11/16	1 7/8	4 3/4	3 3/4	2 7/8	3 1/2	13/64	3/8
12318-R	0.350 kVA	4 9/16	3 11/16	2 3/4	5 1/2	3 3/4	3 3/4	4 3/8	13/64	3/8
12319-R	0.500 kVA	5 5/16	4 7/16	2 3/4	5 5/8	4 3/8	3 7/8	4 3/4	9/32	13/32
12320-R	0.750 kVA	5 5/16	4 7/16	4	7 1/8	4 3/8	5 1/8	6	9/32	13/32
12321-R	1.000 kVA	6 3/16	5 3/4	3	7 3/8	5 1/4	4 1/8	5 3/8	9/32	9/16
12322-R	1.500 kVA	7 1/8	6 1/8	3 3/8	7 3/4	5 13/16	4 7/8	5 3/4	9/32	9/16
12323-R	2.000 kVA	7 1/8	6 1/8	4 1/4	8 3/4	5 13/16	5 3/4	6 5/8	9/32	9/16
12408-R	3.000 kVA	9 1/8	8	3 1/2	9 1/4	8 1/4	4 5/8	6	9/32	9/16
12409-R	5.000 kVA	9 1/8	8	6	12 1/4	8 1/4	7 1/8	8 1/2	9/32	9/16