

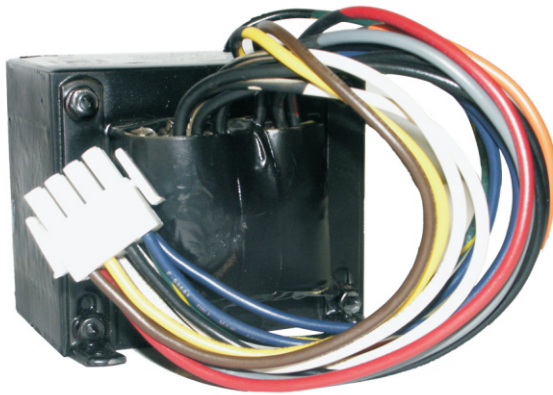


**foster  
transformer  
company**

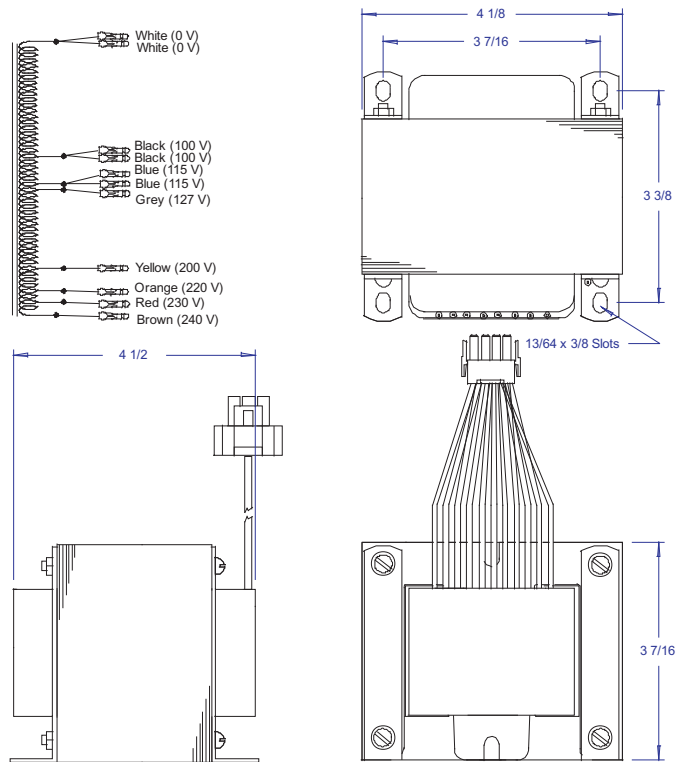
<http://www.foster-transformer.com>

*The Standard of Quality Since 1937*

3820 colerain avenue ♦ cincinnati, oh 45223-2586 ♦ phone:(513)681-2420 ♦ fax:(513)681-2424 ♦ toll free:(800)963-9799



## MULTI-TAPPED AUTOFORMER:



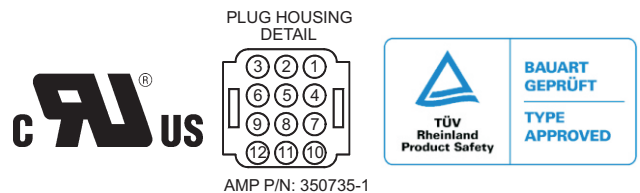
- ✓ UL / C-UL Recognized. File: E19598.
- ✓ TUV Certified to EN60950-1. Certificate: R72050845.
- ✓ UL Recognized Class 180 (H) Insulation System.
- ✓ Rated Output: 115 V @ 1500 VA
- ✓ Input Voltages Taps: 100 V, 115 V, 127 V, 200 V, 220 V, 230 V, and 240 V, 50/60 Hz.
- ✓ Can be wired in parallel for increased capacity.
- ✓ Optional resettable thermal overload to protect against overheating.

Ideal for use in virtually all types of equipment including office automation, medical and dental, commercial appliance, vending and other OEM equipment.

This transformer is specifically designed to allow equipment originally configured to operate from an 120 V source to be operated virtually anywhere in the world.

Standard termination is through a common AMP Universal Mate-N-Lok connector allowing a single connection point and pre-termination of mating connectors to minimize wiring errors.

Optional thermal overload protection guards against overheating and multiple units can be wired in parallel for additional capacity. Contact the factory for information on value added assemblies.



Wire Color:	Pin Connections:	Voltage:
White	6 & 8	COM
Black	7 & 9	100 V
Blue	10 & 12	115 V
Gray	5	127 V
Yellow	4	200 V
Orange	3	220 V
Red	2	230 V
Brown	1	240 V