



**foster  
transformer  
company**

<http://www.foster-transformer.com>



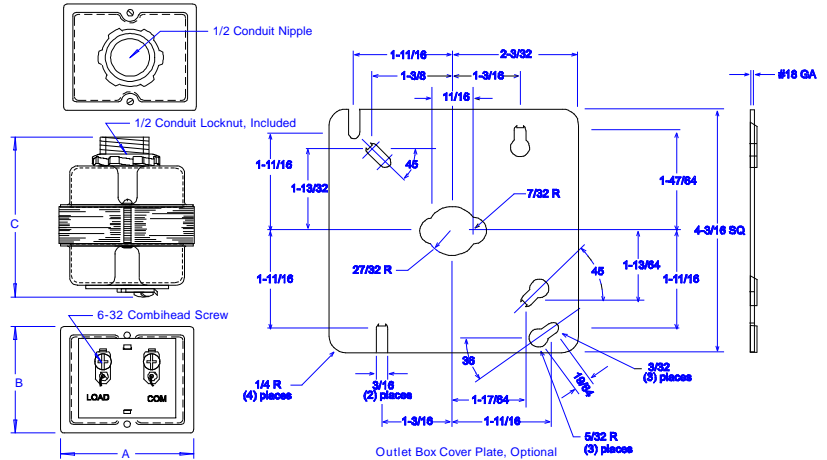
Look for this symbol to identify products that comply with the Buy American provisions of the American Reinvestment and Recovery Act of 2009 (ARRA), the Trade Agreements Act of 1979 (TAA), the Buy American Act of 1933 (BAA), and Federal Acquisitions Regulations subpart 25.1 (FAR).

**The Standard of Quality Since 1937**

3820 colerain avenue ♦ cincinnati, oh 45223-2586 ♦ phone:(513)681-2420 ♦ fax:(513)681-2424 ♦ toll free:(800)963-9799



## UL Listed Class 2 Transformers:



- Input Voltages: 115, 115/230 & 200/230 V, 50/60 Hz.
- Output Voltages: 12 V or 24 V.
- Power Ratings: 5 VA or 20 VA.
- Secondary Connections available with screw terminals or 18 AWG lead wires. (5 VA, lead wires, only).
- Inherently Limited Class 2 Output, No Fusing Required.
- UL Listed and C-UL Certified, UL 5085-3 / CSA 22.2 No.66.3, UL File Number: E17029.
- Class 130 Insulation Systems for long life.
- Custom configurations are available.

Designed for applications requiring a hard wired, externally mounted Class 2 power source including alarm systems, motion sensors, automated faucets and toilets, remote signaling, low voltage lighting, door openers, control systems, dispensing equipment and commercial appliances.

Operating below Class A (105 C) temperature limits, but constructed using a Class B (130 C) Insulation System these transformers are designed for years of trouble free service and can be expected to last the life of your system.

Model:	Input:	Frequency:	Output:	Capacity:	A	B	C
16380	115 V	50/60 Hz	12 V	5 VA	1 11/16	1 3/8	2 1/4
16381	115/230 V	50/60 Hz	12 V	5 VA	1 11/16	1 3/8	2 1/4
16382	200/230 V	50/60 Hz	12 V	5 VA	1 11/16	1 3/8	2 1/4
16383	115 V	50/60 Hz	24 V	5 VA	1 11/16	1 3/8	2 1/4
16384	115/230 V	50/60 Hz	24 V	5 VA	1 11/16	1 3/8	2 1/4
16385	200/230 V	50/60 Hz	24 V	5 VA	1 11/16	1 3/8	2 1/4
16386	115 V	60 Hz	12 V	20 VA	2 5/16	1 15/16	2 3/4
16387	115/230 V	50/60 Hz	12 v	20 VA	2 5/16	1 15/16	2 3/4
16388	200/230 V	50/60 Hz	12 V	20 VA	2 5/16	1 15/16	2 3/4
16389	115 V	60 Hz	24 V	20 VA	2 5/16	1 15/16	2 3/4
16390	115/230 V	50/60 Hz	24 V	20 VA	2 5/16	1 15/16	2 3/4
16391	200/230 V	50/60 Hz	26.5 V	20 VA	2 5/16	1 15/16	2 3/4



**foster  
transformer  
company**

<http://www.foster-transformer.com>



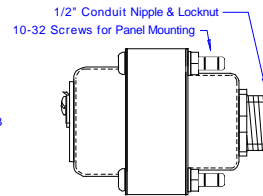
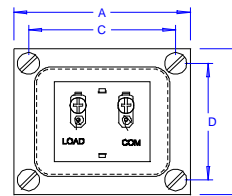
Transformers on this page comply with the Buy American provisions of the American Reinvestment and Recovery Act of 2009 (ARRA), the Trade Agreements Act of 1979 (TAA), the Buy American Act of 1933 (BAA), and Federal Acquisitions Regulations subpart 25.1 (FAR).

**The Standard of Quality Since 1937**

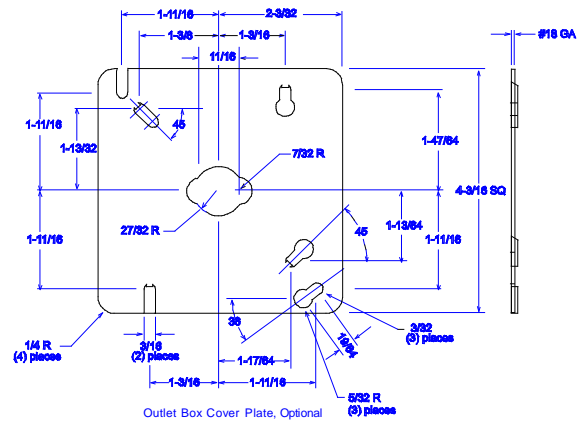
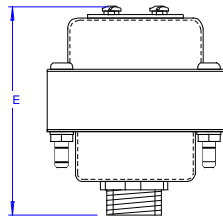
3820 colerain avenue ♦ cincinnati, oh 45223-2586 ♦ phone:(513)681-2420 ♦ fax:(513)681-2424 ♦ toll free:(800)963-9799



## UL Listed Class 2 Transformers:



- Input Voltages: 120 V to 347 V, 50/60 Hz.
- Models for all common North American & European Residential, Commercial, and Industrial Line Voltages.
- Output Voltage: 24 V @ 2.08 A, 50 VA.
- UL Listed and C-UL Certified, UL 5085-3, CSA 22.2 No.66, UL File Number: E17029.
- Inherently Limited, require no external fusing.
- Designed to withstand direct short circuit for up to 15 days without failure.
- Class 130 Insulation Systems for long life.
- Provided with standard 1/2" conduit nipple for quick and convenient mounting. Can also be panel mounted, or with optional 4 inch square junction box cover plate.
- Standard 6 inch long, color coded primary lead wires, 18 AWG, UL 1015, 105°C rated.
- Standard 6-32 combi-head screws for low voltage connection, lead wires optional.



Designed for use with Low Voltage Lighting & Lighting Control Panels, HVAC Controls, Alarm Systems & Home Automation Controls, Irrigation Panels and Machine Controls, Door & Gate Openers, and other applications that require Class 2 power to actuate banks of relays, contactors and solenoid valves, illuminate pilot and low voltage halogen lamps, operate small motors and provide power to similar types of loads.

Model:	Input:	Frequency:	Output:	Capacity:	A	B	C	D	E
12652	120 V	50/60 Hz	24 V	50 VA	3	2 1/2	2 1/2	2	3 5/8
15336	220 V	50/60 Hz	24 V	50 VA	3	2 1/2	2 1/2	2	3 5/8
15335	240 V	50/60 Hz	24 V	50 VA	3	2 1/2	2 1/2	2	3 5/8
12987	277 V	50/60 Hz	24 V	50 VA	3	2 1/2	2 1/2	2	3 5/8
16393	347 V	50/60 Hz	24 V	50 VA	3	2 1/2	2 1/2	2	3 5/8
16392	120/240/277/347 V	50/60 Hz	24 V	50 VA	3	2 1/2	2 1/2	2	3 5/8



**foster  
transformer  
company**

<http://www.foster-transformer.com>

The Standard of Quality Since 1937

3820 colerain avenue ♦ cincinnati, oh 45223-2586 ♦ phone:(513)681-2420 ♦ fax:(513)681-2424 ♦ toll free:(800)963-9799

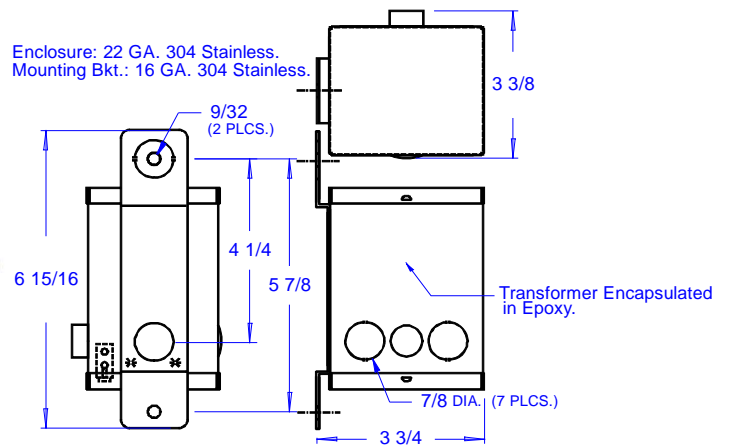


## UL Listed Class 2 Transformers:



- ✓ UL / C-UL Listed. UL File: E17029.
- ✓ All Models, Class 2 Inherently Limited Except A-14359-01 Provided with 4.0 A Circuit. Breaker.
- ✓ UL Recognized Class 130 (B) Insulation System.

Designed for use in Alarm Systems, HVAC Applications, Intercom & Paging Systems, Commercial Appliances, Industrial Controls, Door Chimes and other applications requiring a UL Listed Class 2 Control Transformer.



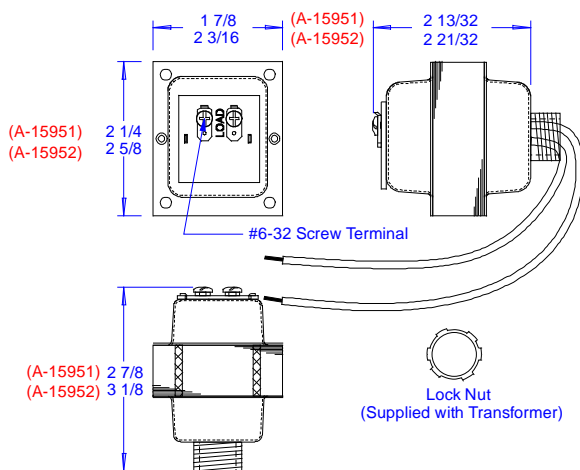
Model: A-14359-01

Input Voltage: 115/200/230/460 V, 50/60 Hz

Output Voltage: 22.5 VAC, 75 VA

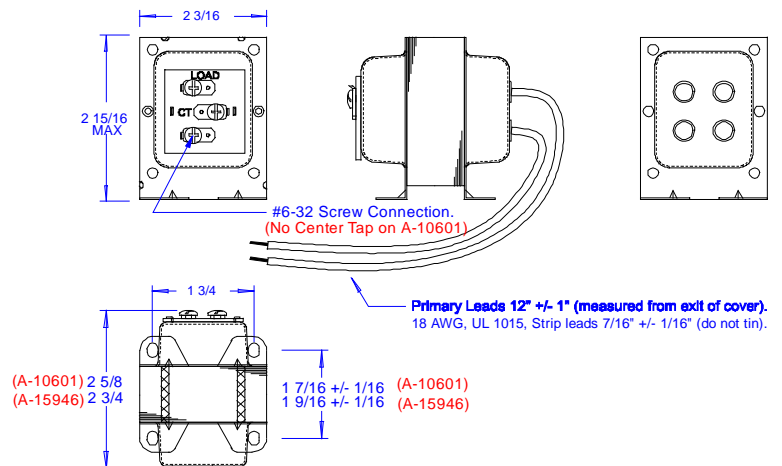
Overload Protection: 4.0 A Circuit Breaker.

Notes: Removable Cover for Access to Wiring Compartment.



Input Voltage: 115 V, 50/60 Hz  
Output Voltage: 16 VAC, 15 VA, A-15951  
16 VAC, 30 VA, A-15952  
Overload Protection: 125 C Auto-Reset Thermal.

UL / C-UL Listed, UL 1585, Class 2, E17029.  
UL / C-UL Listed, UL 1411, E62547.



Input Voltage: 115/230 V, 50/60 Hz  
Output Voltage: 22.5 VAC, 30 VA, A-10601  
24 VCT, 50 VA, A-15946  
Overload Protection: 130 C Thermal Fuse.

Models 10601 and 15946 also available with pipe nipple, 1/2" conduit knockout clamp, or 4 inch square outlet box cover mounting.