



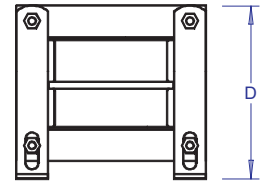
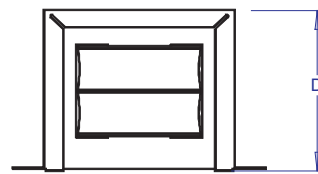
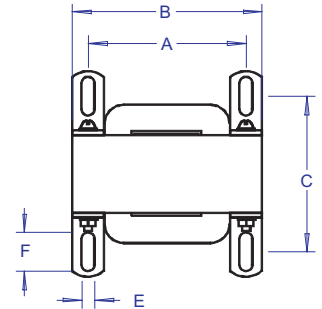
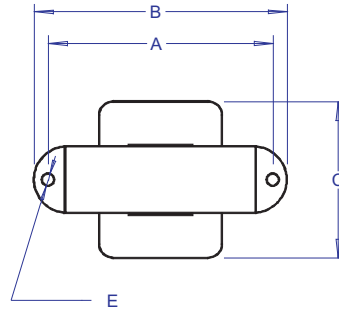
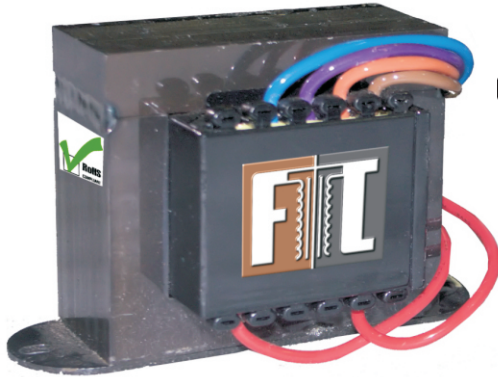
**foster
transformer
company**

The Standard of Quality Since 1937

<http://www.foster-transformer.com>

3820 colerain avenue ♦ cincinnati, oh 45223-2586 ♦ phone:(513)681-2420 ♦ fax:(513)681-2424 ♦ toll free:(800)963-9799

SURVIVOR CLASS 2 TRANSFORMERS:



40 VA -75 VA
100 VA, 60 Hz

100 VA

- ✓ UL / C-UL Recognized. UL File: E17029.
- ✓ 15347, 15348-50, 15349, 15349-02 TUV Certified. Certificate No.: 72081637
- ✓ UL Recognized Class 130 (B) Insulation System.
- ✓ Breakthrough Short Circuit & Overload Protection.
- ✓ No External Fusing Required.
- ✓ Can Withstand a Direct Short Circuit in Excess of 15 Days!
- ✓ Lowers Warranty Costs, Improves Customer Satisfaction.
- ✓ CE Compliant Designs Available.

Designed for use in HVAC, Appliance, Vending, Battery Charger and other applications requiring a Class 2 Control Transformer.

All Designs are Inherently Limited as defined by UL 1585.

Model:	Input:	Frequency:	Output:	Capacity:	A	B	C	D	E	F
15343	115 V	50/60 Hz	24 V	40 VA	2 13/16	3 1/4	2 3/16	1 15/16	3/16	
15345	115/230 V	50/60 Hz	24 V	40 VA	2 13/16	3 1/4	2 3/16	1 15/16	3/16	
15344	200/230 V	50/60 Hz	24 V	40 VA	2 13/16	3 1/4	2 3/16	1 15/16	3/16	
15694	115 V	50/60 Hz	24 V	50 VA	3 1/8	3 11/16	2 3/8	2 5/16	3/16	
15346	115/230 V	50/60 Hz	24 V	50 VA	3 1/8	3 11/16	2 3/8	2 5/16	3/16	
15695	200/230 V	50/60 Hz	24 V	50 VA	3 1/8	3 11/16	2 3/8	2 5/16	3/16	
15348	115 V	60 Hz	24 V	75 VA	3 9/16	4	2 1/2	2 9/16	3/16	
15348-50	115 V	50/60 Hz	24 V	75 VA	3 9/16	4	2 3/4	2 9/16	3/16	
15347	115/(200)/230 V	50/60 Hz	24 V	75 VA	3 9/16	4	2 3/4	2 9/16	3/16	
15341	200/230 V	60 Hz	24 V	75 VA	3 9/16	4	2 1/2	2 9/16	3/16	
15349	200/230 V	50/60 Hz	24 V	75 VA	3 9/16	4	2 3/4	2 9/16	3/16	
15349-02	220/230/240 V	50/60 Hz	26.5 V	75 VA	3 9/16	4	2 3/4	2 9/16	3/16	
15342	460 V	(50)/60 Hz	24 V	75 VA	3 9/16	4	2 1/2	2 9/16	3/16	
16229	115 V	60 Hz	24 V	100 VA	3 9/16	4	2 3/4	2 9/16	3/16	
15696	115 V	50/60 Hz	24 V	100 VA	2 1/2	3	2 3/4	2 13/16	13/64	5/8
16025	115 V	50/60 Hz	26.5 V	100 VA	2 1/2	3	2 3/4	2 13/16	13/64	5/8
16230	115/(200)/230 V	60 Hz	24 V	100 VA	3 9/16	4	2 3/4	2 9/16	3/16	
15697	115/(200)/230 V	50/60 Hz	24 V	100 VA	2 1/2	3	2 3/4	2 13/16	13/64	5/8
16212	115/230 V	50/60 Hz	26.5 V	100 VA	2 1/2	3	2 3/4	2 13/16	13/64	5/8
16231	200/230 V	60 Hz	24 V	100 VA	3 9/16	4	2 3/4	2 9/16	3/16	
15698	200/230 V	50/60 Hz	24 V	100 VA	2 1/2	3	2 3/4	2 13/16	13/64	5/8
16026	200/230 V	50/60 Hz	26.5 V	100 VA	2 1/2	3	2 3/4	2 13/16	13/64	5/8

- All part numbers are UL Recognized, C-UL Component Certified to UL 5085-3 (UL1585) / C.S.A. C22.2, Number 66.1.
- Part numbers 15347, 15348-50, 15349, and 15349-02 certified by TÜV Rheinland to EN 61558-1, 61558-2-6 and EN 60335-1.
- 200 V tap on models 15347, 16230, and 15697, and 50 Hz capability for model 15342 optional. Must be specified at order placement.
- Special voltages, mounting, and lead out configurations are available. Consult factory for details.